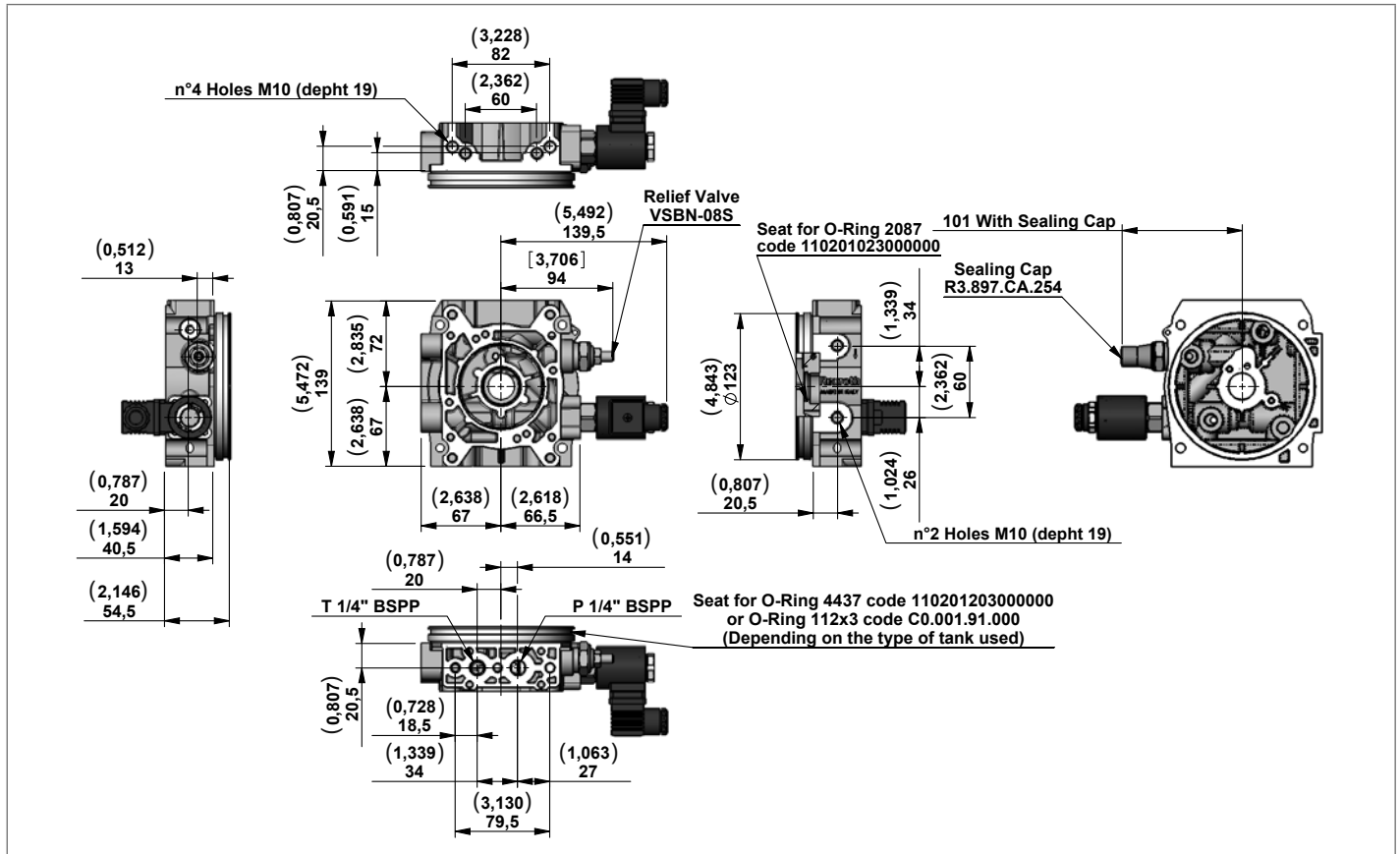
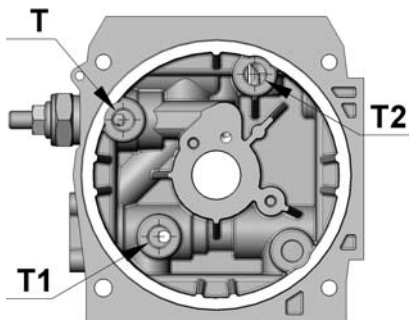


Central Manifold ME

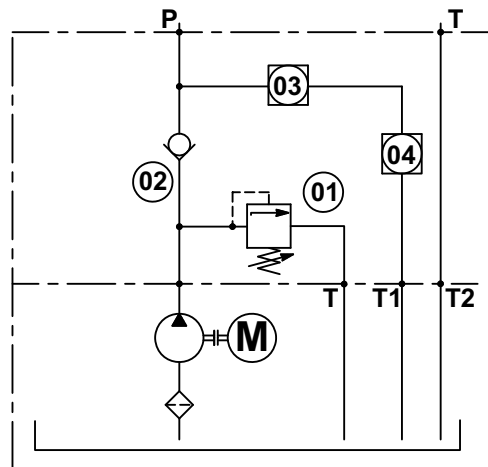
A16



View Manifold Tank side



Manifold Hydraulic Diagram



A16

Manifold Code with Relief Valve Pressure Range	Pressure Range bar (psi)	Type	Material Number
A16/05	10-55 (145-798)	116A000A	R930052174
A16/10	35-100 (508-1450)	116B000A	R930052184
A16/20	90-250 (1305-3626)	116C000	R932008693

