

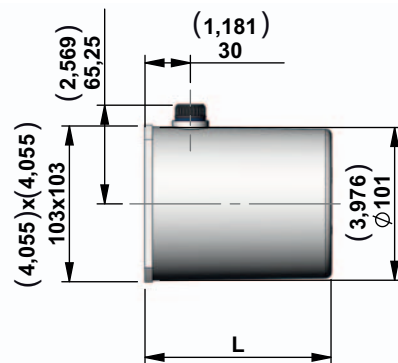
### Oil Tanks

#### Technical Data for Plastic Tanks

Temperature range	°C (°F)	-15....+70 (5....158)
Materials		PE=Polyethylene - PP=Polypropilene
Seal		For all the plastic Tanks use O-ring 4350 (Ø88,5x3,53) Code: 110201875000000 Material-Number: R932000191

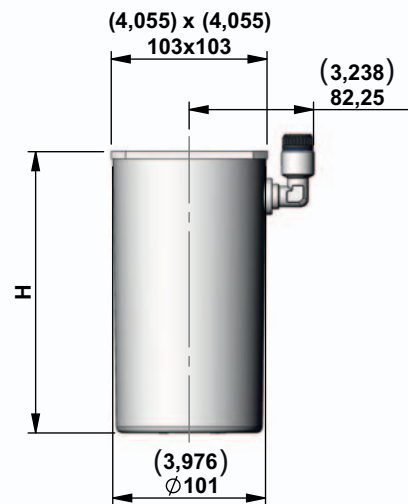
Code	Tank capacity l (USgal)	Useable capacity l (USgal)	L mm (inch)	Material	Type	Material Number
------	-------------------------	----------------------------	-------------	----------	------	-----------------

<b>S284</b>	0,5 (0,13)	0,4 (0,11)	123 (4,84)	PP	K01M3976SE318	R932002054
-------------	---------------	---------------	---------------	----	---------------	------------



<b>S286</b>	1 (0,26)	0,7 (0,18)	186 (7,32)	PP	K01M3976SE320	R932002056
-------------	-------------	---------------	---------------	----	---------------	------------

<b>S285</b>	0,5 (0,13)	0,4 (0,11)	123 (4,84)	PP	K01M3976SE319	R932002055
-------------	---------------	---------------	---------------	----	---------------	------------



<b>S287</b>	1 (0,26)	0,7 (0,18)	186 (7,32)	PP	K01M3976SE321	R932002057
-------------	-------------	---------------	---------------	----	---------------	------------

<b>S270</b>	1 (0,26)	0,9 (0,24)	-	PE	K01X3976SE303	R932002077
-------------	-------------	---------------	---	----	---------------	------------

